



Gunnebo CM SafeDeposit D1k Family

Compact, Secure and Efficient Cash Processing

GUNNEBO[®]
Cash Management

A **SESAMI** COMPANY



Gunnebo CM SafeDeposit D1k Family

Versatile to match each installation condition with a simple yet powerful user interface

The D1k is part of our compact deposit unit range. It streamlines daily cash processes and improves the overall efficiency of all the employees that deal with cash management. It also allows to maximise your ROI. The compact range is designed to help small to midsize retailers and carry out quick and safe cash deposit transactions with maximum adaptability to your needs. The different compact solutions adapt to your needs in terms of size, capacity and type of storage. All compact range series run with our ZEN D platform.

Compact, Secure and Efficient Cash Processing

- Stacked banknotes in cassette.
- Real time accountancy of each transaction.
- Web remote management and administration (including banknote validator upgrades).
- Multicurrency in the same transaction.
- Multilanguage.
- Gunnebo One Time Code system to open the safe.
- Common ZEN D platform for all Gunnebo Cash Management Deposit Range.
- Visual and tactile interface via colour touch screen.
- Various cloud connections simultaneously.

Benefits



Multi cloud



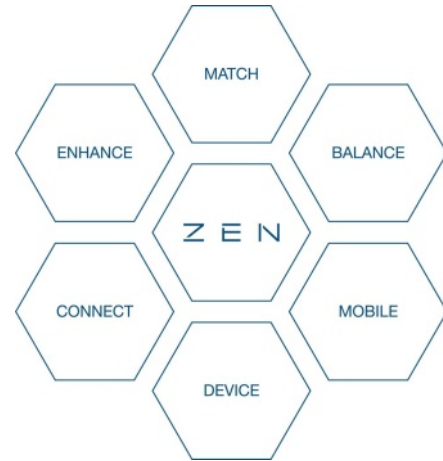
Different identification formats



Multicurrency within one deposit



ZEN D Platform



Gunnebo Cash Management ZEN D Software

Gunnebo Cash Management software platform for deposit devices with endless capabilities to embrace the future.

Hyperconnectivity

ZEN D connects with several cloud environments, including third-party systems, in real time with encrypted communication Protocol and open VPN by default. Connected, secure and efficient.

Omnipresent Access

Manage upgrades and users for any component of the device without physically needing to be on site, reducing unnecessary visits. Increase productivity by accessing real-time data, and predictive maintenance and performance analysis, giving you flexible and intelligent control of your cash deposit devices.

Endless Adaptability

Designed to be flexible and modular, ZEN adapts rapidly and efficiently with robust, long-term reliability, to your operations and individual needs.

Designed on a building block architecture with multiple configurations proven in the field.

Flexible Workflow

Allows for multiple business models and licensing options. Live custom fields and configurable workflows are just some of the features of ZEN D, which adapt to your business goals.

Advanced Reporting

Track everything with our live tailored reports, including advanced reconciliation reports for deposit collection and end of day and advanced cash monitoring. Designed to give you total control of your business.

Choose from the full range of ZEN Suite modules, including Balance for your finances and Enhance for your service operations.

Specifications

Model specifications

| | D1K1200 | D1K2200 |
|---------------------------|---------------------------|----------------------------|
| Capacity | 1200 stacked | 2200 stacked |
| Dimension (WxDxH) | 216x460(SNF)/520(BNF)x569 | 216x612(SNF)/672 (BNF)x594 |
| Weight kg | 37 kg | 48 kg |
| 800x480 Touch Display | 5" | 5" |
| Safe | 2 mm Body / 4 mm Door | 2 mm Body / 4 mm Door |
| Manual Deposit | No | No |
| Max. Power Specifications | 120W. 24DC | 120W. 24DC |
| Storage Type | Cassette | Cassette |

Standard features

| | |
|--|---|
| Deposit Speed | 20 banknotes/minute |
| Multicurrency deposits | Yes |
| Multilanguage | Yes |
| Multiserver connection | Yes |
| Real-time registration of each transaction | Yes |
| System | Linux Embedded OS |
| Software Platform | ZEN D |
| Network | Supports VPN and multi cloud communications |
| Operating temperature | 10° to 40°C |
| Remote management | User management, software updates... |
| Remote note reader update | Yes |
| Remote data import & export | Yes |
| Time settings | Supports NTP synchronisation |
| "Unified POS" standard | Yes |
| Certifications | CE, ROHS, ECB (banknote reader) |
| Humidity | 30%-85% relative, non condensating |

Options

| | |
|--------------------------------|---|
| Bank Note Feeder | 1 (SNF) / 20 (BNF)* |
| Receipt Printer | 57 mm paper width |
| Barcode Reader | for users and bag / cassette identification |
| One Time Lock | Gunnebo electronics and algorithm |
| Additional locks or ID devices | Please contact Gunnebo Cash Management |
| Application customization | Please contact Gunnebo Cash Management |

*SNF: Single Note Feeder / BNF: Bundle Note Feeder

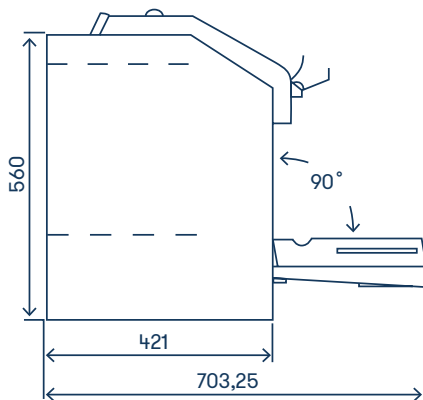
Gunnebo CM SafeDeposit D1k Family



Dimensions D1k1200

Storage Options

Cassette



Find the right solution for you!

Cash Monitoring Software

Complete control over your cash handling operations with business analytics, service monitoring, end-to-end cash reconciliation and multi-device connectivity.

Cash Deposit Solutions

Save time and money with smart cash deposit solutions for retail front and back office.

Cash Recycling Solutions

Optimise your cash flow and keep cash circulating efficiently with cash recycling solutions for retail.

SafePay Closed Cash Management

SafePay replaces traditional tills with a smart recycling system which protects cash from payment all the way to the cash-counting centre.

Bank Solutions

Cash automation solutions which support bank branch transformation and cut the time staff spend working with cash.

Service

Expert support ensures that your systems run smoothly and efficiently with minimal disruption to your business.

Gunnebo Cash Management creates a more efficient and secure cash cycle to help you reduce the cost of cash handling.



Talk to one of our experts:
blog.gunneboCashManagement.com or
gunneboCashManagement.com

GUNNEBO[®]
Cash Management

A SESAMI COMPANY