

sallén



Sallén D2s

Cash Management
solutions

Sallén D2s

Compact, secure
cash processing in a
stacked bag.



The D2s is part of our compact deposit unit range. It streamlines daily cash processes and improves the overall efficiency of all the employees that deal with cash management.

The compact range is designed to help small to mid-size retailers and carry out quick and safe cash deposit transactions with maximum adaptability to your needs.

The different compact solutions adapt to your needs in terms of size, capacity and type of storage. All compact range series run with our EMA platform.

Stacked notes for maximum efficiency

- Stacked banknotes in bag.
- Real time accountancy of each transaction.
- Web remote management and administration (including banknote validator upgrades).
- Multicurrency in the same transaction.
- Multilanguage.
- Sallén One Time Code system to open the safe.
- Common platform for all Gunnebo Deposit Range.
- Visual and tactile interface via colour touch screen.
- Various cloud connections simultaneously.



Multi cloud



Different identification
formats



Multicurrency within one
deposit



EMA Platform

Specifications

Model Specifications

Capacity	Up to 1500
Dimension (WxDxH)	320x535x650
Weight Kg	54Kg
800x480 Touch Display	5"
Safe	2mm on body / 4mm on door
Manual Deposit	Yes. Anti-fishing slot on the door
Max. Power Specifications	300 watts. 110-220v.
Storage Type	Stacked bag

Standard features

Deposit Speed	20 banknotes/minute	Remote management	Users, Transactions, firmwares...
Multicurrency deposits	Yes	Remote note reader upgrade	Yes
Multilanguage	Yes	Remote data import & export	Yes
PC	Linux Embedded OS	Time settings	Supports NTP synchronisation
Software Platform	EMA (Easy Modular Assisted)	"Unified POS" standard	Yes
Networking	Supports VPN and multi cloud communications	Certifications	CE, ROHS, ECB (banknote reader)
Operating temperature	10o to 40oC	Humidity	30%-85% relative, non condensating

Options

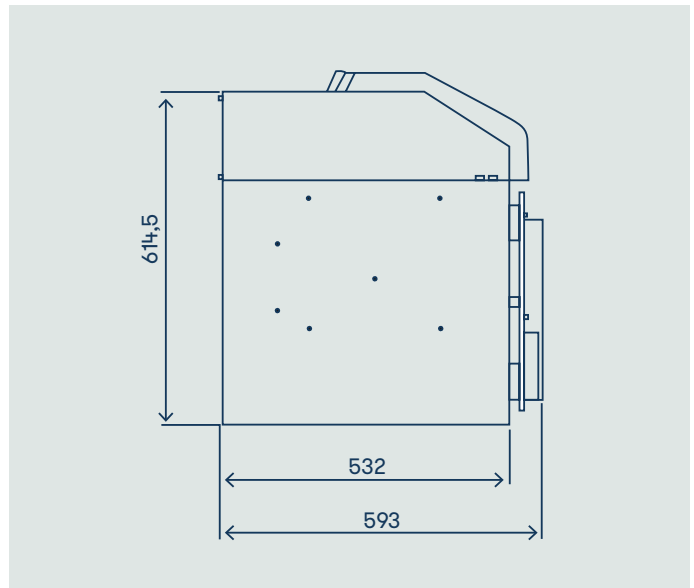
Bank Note Feeder	30 banknotes capacity	One Time Lock	Sallén electronics and algorithm
Receipt printer	57mm paper width	Additional locks or ID devices	Please contact Sallén
Barcode Reader	for users and bag / cassette identification	Application customization	Please contact Sallén

Cash Storage Options

Thermo sealed bag



Dimensions



Our goal is to improve the cash cycle in all businesses, every day. So, we believe that by partnering up with all companies that want to make cash management an easy process, we can provide the solution that best meets their needs.

